

GRAPHTEC

Graphtec America, Inc.

Automatic Sheet Cutter

**Cut Labels,
Cut Time.**

custom apparel - heat transfer
branded packaging - labels
business cards - POP display - paper decoration



Max media size 13" x 19"



Stacking up to 200 sheets



Avg. 30-40 sec / sheet

- Continuous **hands-free** sheet media loading & processing
 - Dedicated software ensures **accurate** alignment
- **CCD camera** quickly scans 2-point registration marks
- **Contour & Perforated** cutting of printed graphics
- Add additional sheets **without resending** the job

Components



Camera

Quickly detects 2-point reference marks for aligning the contour & printed image.

Auto Sheet Feeder Unit

An arm with air suction cups lifts the media from the loading tray and places it into the cutter.

Catch tray

After cutting is completed, sheets are placed in the tray. It is required to periodically remove sheets.

Digital Cutting Software

Dedicated software controls the auto sheet feeding system and transfers contour cutting data to the plotter.



The system includes dedicated application software. After media is loaded, the attached camera quickly detects 2-point reference marks and corrects alignment before contour cutting data is transferred, giving you the perfect cut every time. The software configures cutting conditions such as number of copies, cutting force, cutting speed, offset, and number of paths, and it can import Adobe Illustrator or CorelDRAW EPS files as the contour data.

* Designs created with any version of Illustrator or CorelDRAW need to be saved or exported in the specified format.

Cutter unit

CE6000-40 Plus UA

Specifications

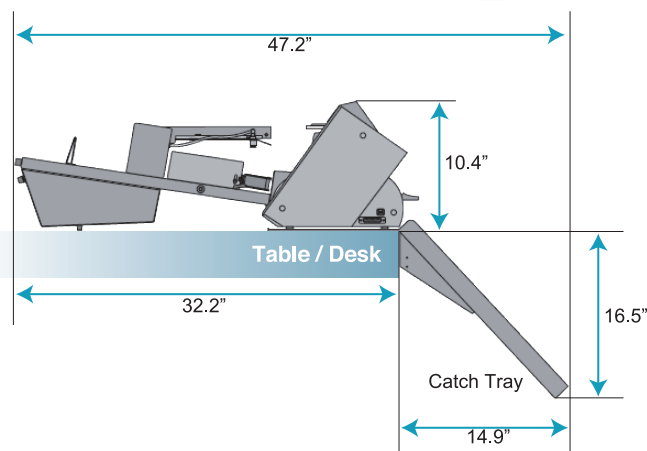
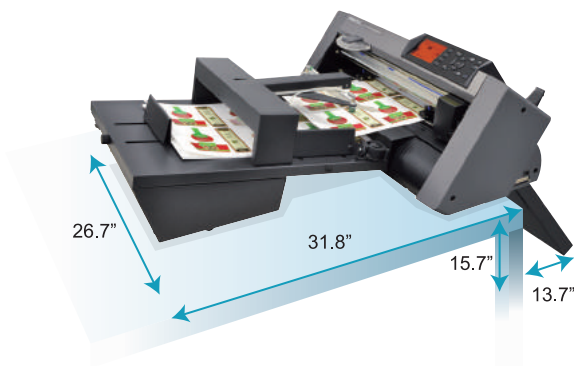
Unit	Item	Description
Whole system (Auto sheet feeder unit with cutter unit)	Supported standard sized media	A4 (11.69" x 8.27"), SRA4 (12.6" x 8.9") (Loaded in landscape orientation) A3 (11.69" x 16.53"), A3+ (Typically 13" 19"), SRA3 (12.59" x 17.71") (Loaded in portrait orientation)
	Interface to PC	Single port of USB (The USB hub to connect the auto sheet feeder unit and cutter is included.)
	Power source	100 to 240 V AC (Requires three power outlets.)
	Operating environment	Temperature: 50 to 95 degrees fahrenheit Humidity: 35 to 75% RH (non-condensing)
	Dimensions	When the entire system is placed on a table -Size of portion above desk Approx. 26.4 (W) x 32.2 (D) x 10.4 (H) Inches -Size of portion below desk Approx. 26.4 (W) x 14.9 (D) x 16.5 (H) Inches *The CE6000-40 Plus is placed on the edge of the table. Refer to the illustration.
	Weight	Approx. 55 Cutter Unit: 24 lbs, Auto feeder unit: 22lbs, Catch tray: 8 lbs)
Auto sheet feeder unit	Supported media	Width: 10.9" to 13.7" Length: 8.2" to 19.6" (Up to 27.5" when the optional bracket is installed.) Up to 350 g/m ² (It is the grammage of the media that can be handled by the automatic feeder unit.)
	Capacity of supply tray	Up to 200 sheets or up to 35mm height (It varies by the material, thickness and condition of media.)
	Interface	USB2.0
	Power source	AC adapter, 100 to 240 V AC, Approx. 60 VA at output power
	Compatible Standards	Main body : cNus mark, CE mark, FCC AC adapter : UL, cUL, CE mark, FCC, PSE, CCC
Digital Cutting Software	Supported OS	Windows 10, 8.1, 8, 7
Cutter unit (CE6000-40/PLUS)	Contour cutting data format	ai (save as Illustrator 8) and eps
	Cutting speed	Max. 23 in/s all directions
	Acceleration	Max. 21.2 m/s ² (2.2 G) at 45° direction
	Cutting force	Max. 4.41 N (450 gf) with CE6000-40 PLUS
	Interface	USB2.0
	Power source	100 to 240 V AC
	Power consumption	Max. 120 VA
	Compatible Standards	UL, cUL, CE mark, RoHS Directive

Options

Coming soon

Options	Description
Extended bracket of rear media guide	Bracket to support long media up to 27.5 inches
Media catch tray partition bracket	Bracket for catch tray to support support small media

Dimensions



- Brand names and product names listed in this brochure are the trademarks or registered trademarks of their respective owners.
- Items mentioned are subject to change without notice. For more information about product, please check the web site or contact your local representative.



For safe & proper equipment use

- Before use, please read the user manual and operate accordingly.
- To avoid malfunction or an electric shock by leakage, please ensure good ground connection and use the specified power source.

www.graphtecamerica.com



F-MARK_EI0310_1P